

KFC-P508 / KFC-P708

KFC-S502P / KFC-S702P

Specifications

2-Way 2-Speaker System/2-Way 2-Speaker System/Sistema de 2 altavoces de 2 vías/ Sistema de 2 altifalantes de 2 vías	KFC-P708/S702P	KFC-P508/S502P
Woofer/Basses/Altavoz de graves/Altifalante de graves	Oversized 160 mm (6-1/2") Cone	Oversized 130 mm (5-1/4") Cone
Tweeter/Agus/Altavoz de agudos/Altifalante de agudos	25 mm (1") Dome	25 mm (1") Dome
Rated Impedance/Impédance nominale/Impedancia nominal/Impedância nominal	3 Ω	3 Ω
Peak Input Power/Entrée de crête momentanée/Potencia máxima de entrada/Potência pico de entrada	280 W	240 W
Rated Input Power/Entrée nominale/Potencia de entrada nominal/Potência de entrada nominal	65 W	45 W
Sensitivity/Niveau de pression sonore de sortie/Sensibilidad/Sensibilidade	91 dB/W at 1m	90 dB/W at 1m
Frequency Response/Réponse en fréquence/Respuesta de frecuencia/Resposta em Frequência	30 ~ 35,000 Hz	40 ~ 35,000 Hz
Crossover Frequency/Fréquence de recouvrement/Frecuencia de cruce/Frequência de separação	4,500 Hz	6,000 Hz
Net Weight/Poids net/Peso neto/Peso líquido	Woofer 1,020 g (2.2 lb) Tweeter 70 g (2.5 oz)	Woofer 770 g (1.7 lb) Tweeter 70 g (2.5 oz)

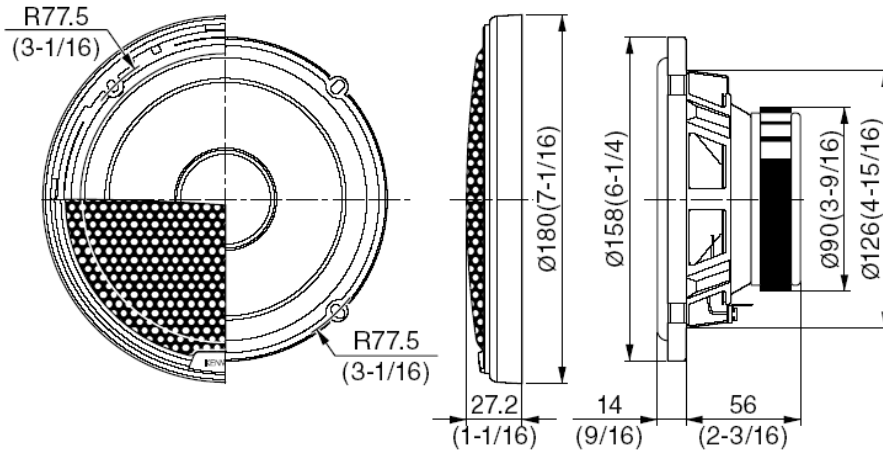
Technical specifications

■ WOOFER	SYMBOL	UNIT	VALUE	
			KFC-P708/ KFC-S702P	KFC-P508/ KFC-S502P
Nominal impedance	Z	Ω	3.0	3.0
DC resistance	Revc	Ω	2.3	2.3
Voice coil inductance	Levc	mH	0.18	0.20
Resonance frequency	Fs	Hz	72	86
Resonance frequency impedance	Zs	Ω	27.0	22.1
Mechanical Q factor	Qms		5.93	5.74
Electrical Q factor	Qes		0.75	0.93
Total Q factor	Qts		0.66	0.80
Volume acoustic compliance	Vas	liter (cu.ft)	10.27 (0.363)	4.48 (0.158)
Moving mass	Mms	g	11.13	10.85
Suspension compliance	Cms	m/N	0.437 x 10 ⁻³	0.314 x 10 ⁻³
Emissive diameter of the diaphragm	D	mm	128	113
Voice coil diameter	d	mm	30	30
Voice coil layers	n		2	2
Flux density	B	T	0.96	0.92
Force factor	BL	T.m	3.94	3.81
Weight of magnet		g (oz)	330 (11.6)	250 (8.8)
Peak excursion	Xmax	mm	2.55	1.1

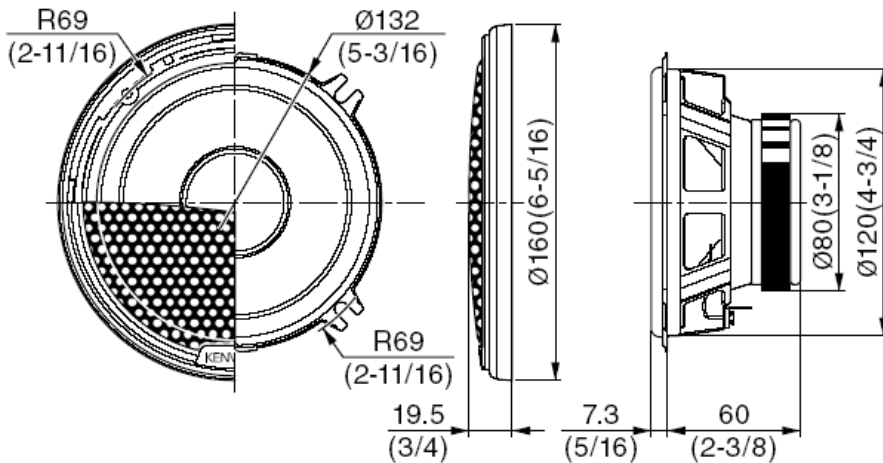
Dimensions / Abmessungen / Dimensiones / Dimensões / المقاسات

■ Woofer / Basses / Altavoz de graves / Altifalante de graves / ووفر

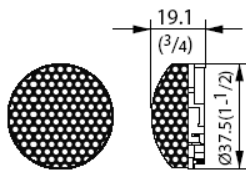
KFC-P708 /KFC-S702P



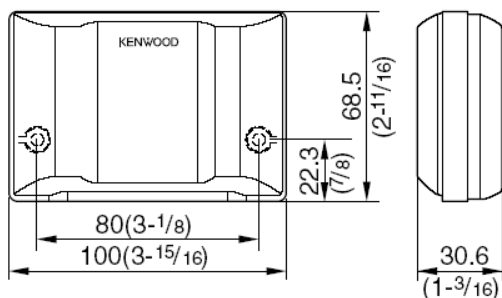
KFC-P508 /KFC-S502P



■ Tweeter / Aigus / Altavoz de agudos / Altifalante de agudos / تويتر



■ Passive crossover network / Réseau séparateur passif / Red divisora pasiva / Rede de separação passiva / شبكة خطوط التحويل المجهولة



Unit : mm (inch)
 Unitè : mm (pouces)
 Unidad : mm (pulgada)
 Unidade: mm (pol.)
 الوحدة: مم (بوصة)